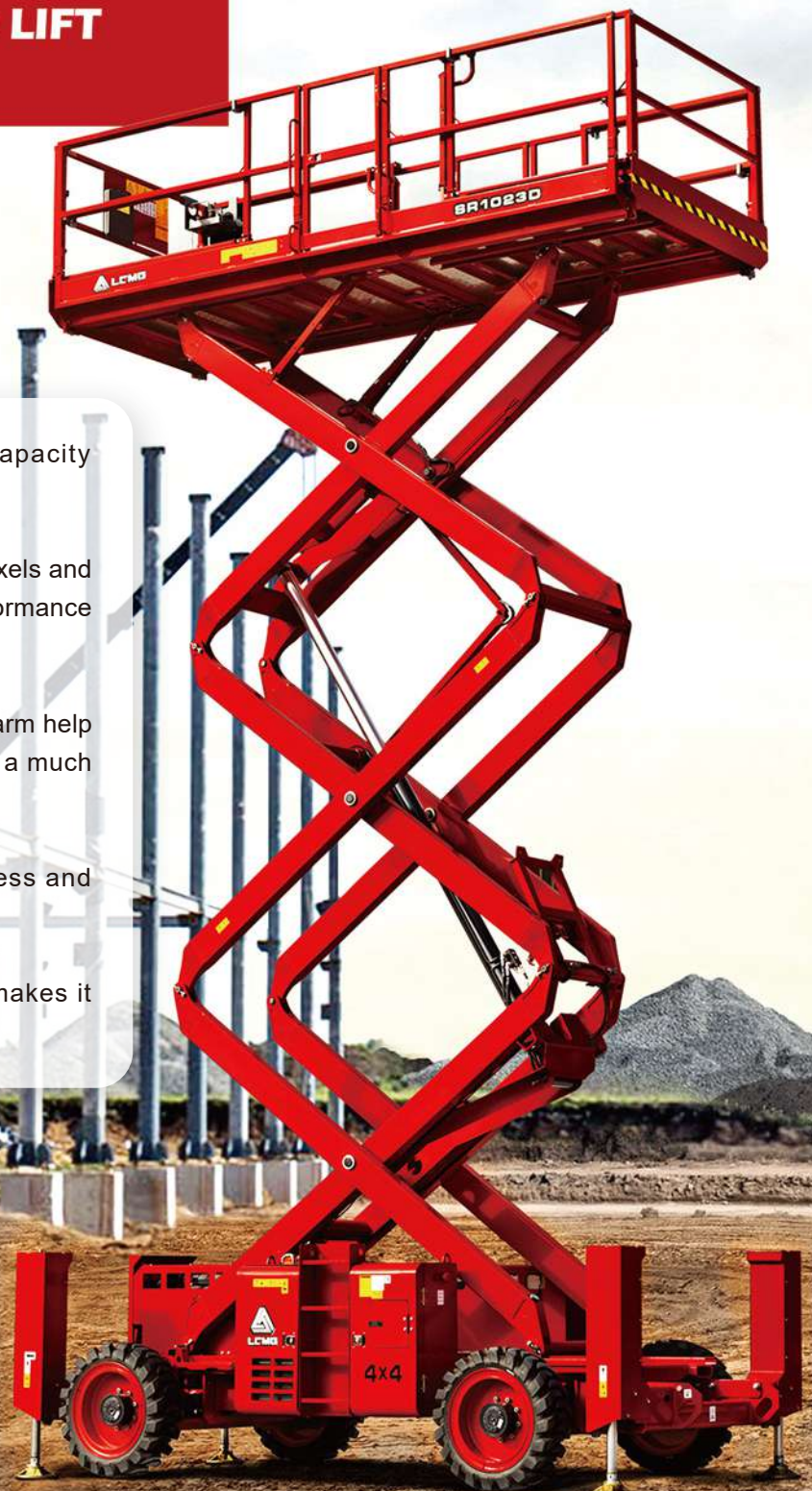


LGMG

SR1023D

DIESEL RT SCISSOR LIFT

- Larger work platform with high capacity offers great productivity.
- Powerful diesel engine, oscillating axels and four-wheel drive provide better performance on most rough terrain job sites.
- The overload system and motion alarm help the operator to complete the job in a much safer way.
- Pull-out engine tray for easy access and maintenance.
- On-board self-diagnosis system makes it easier for quick troubleshooting.



LGMG Diesel RT Scissor Lift

SPECIFICATIONS

MODELS	SR1023D (SR3390D)	
Measurements	Metric	Imperial
Work Height Max.	12m	39'4"
A Platform Height - Raised	10m	32'10"
B Platform Height - Stowed	1.58m	5'2"
C Platform Length	3.98/4.81m	13'1"/15'9"
D Platform Width	1.83m	6'
E Overall Length (with ladder)	4.9m	16'1"
F Overall Width	2.3m	7'7"
G Overall Height - Rails up	2.74m	9'
Overall Height - Rails down	2.06m	6'9"
H Extension Deck	1.45/1.14m	4'9"/3'9"
I Wheelbase	2.85m	9'4"
Ground Clearance-Center	0.23m	9"

PRODUCTIVITY

Max. Platform Occupancy	7(in) / 7(out)	
Platform Capacity	1100kg	2430 lbs
Platform Capacity - Extension	230kg	510 lbs
Drive Height	Full Height	
Gradeability - Stowed	40%	
Min. Turning Radius	5.33m	17'6"
Raise/Lower Speed	45 / 45s	
Brakes	Four-wheel brake	
Drive Mode	4x4	
Tires Type	Solid	
Tires Size	835x290mm	33"x11"

POWER

Power Source	Deutz D2.9 L4 36.4kw/48.8hp	
Fuel Tank Capacity	110L	30gal

HYDRAULIC SYSTEM

Hydraulic Oil Volume	140L	37gal
----------------------	------	-------

WEIGHT

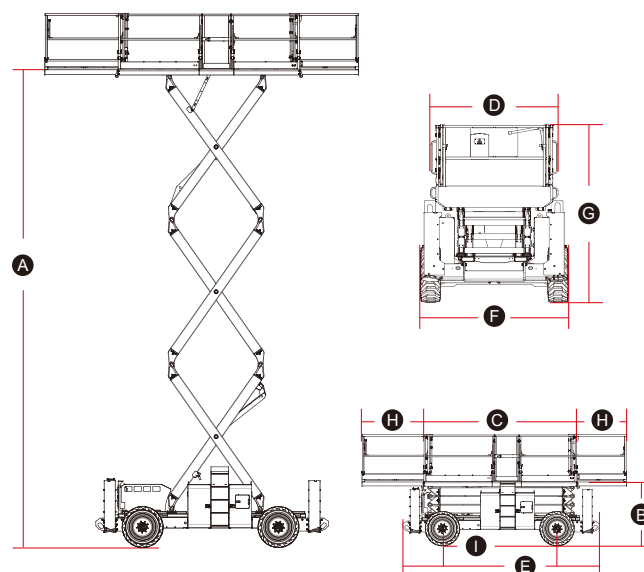
Machine Weight (7.4m platform, CE)	6980kg	15400 lbs
------------------------------------	--------	-----------

STANDARD FEATURES

Proportional control	Tilt alarm with lift cut-out
Foldable guardrail	Overload sensing system
Emergency stop device	Descent alarm with flashing beacon
Manual brake release	All motions alarm
Emergency descent	Intelligent diagnostic system
Oscillating axle	Auto-leveling outriggers
Self-lock entry gate	Solid tires

OPTIONAL

Telematics	Solid non-marking tires
AC power to platform	Foam-filled tires
Cold weather package	Foam-filled non-marking tires
Biodegradable hydraulic oil	



Please contact LGMG or local dealer for more details.

LGMG reserves the right to change technical data without prior notice. All photos and pictures in this brochure are for promotional purpose only. This brochure comes into effect in May, 2023.

LINGONG HEAVY MACHINERY CO., LTD.

Address: No. 2676, Kejia Road, Jinan, Shandong, China
 Email: sales@lmgm.com.cn Tel: +86 531 6787 9283

LGMG Europe B.V.

Address: Donker Duyvisweg 301, 3316 BL Dordrecht, The Netherlands
 Email: sales@lmgmeurope.com Tel: +31 850 642 777

LGMG North America Inc.

Address: 4105 Live Oak Drive, Suite 100, The Colony, Texas 75056 United States
 Email: sales@lmgmna.com Tel: +1 833 288 5464

www.lmgmlifts.com



LGMG
 RELIABILITY IN ACTION